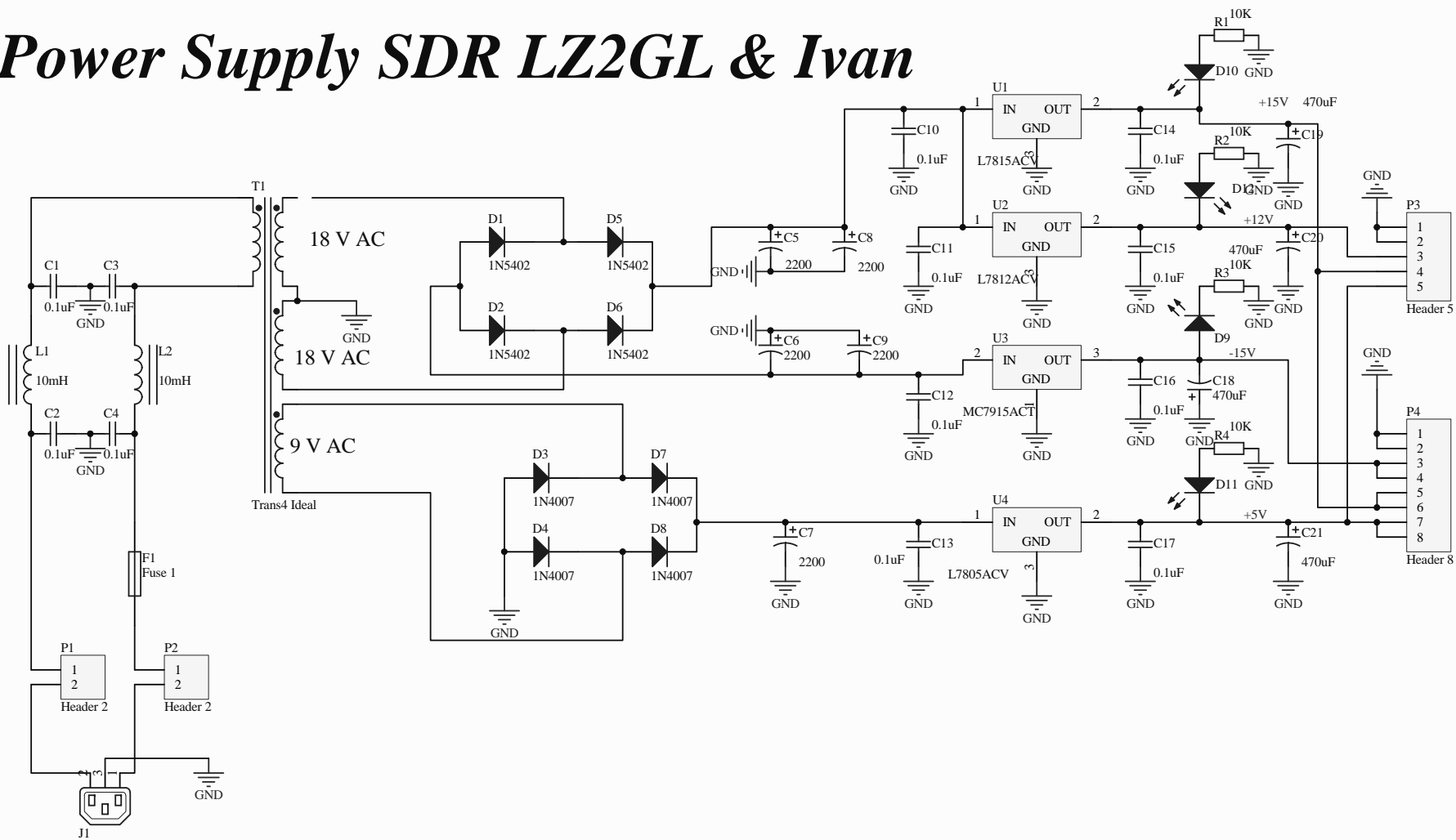


Power Supply SDR LZ2GL & Ivan



Title		
Size	Number	Revision
A4		
Date:	5/22/2009	Sheet of
File:	D:\Ivan\SDR Power supply.SchDoc	Drawn By: