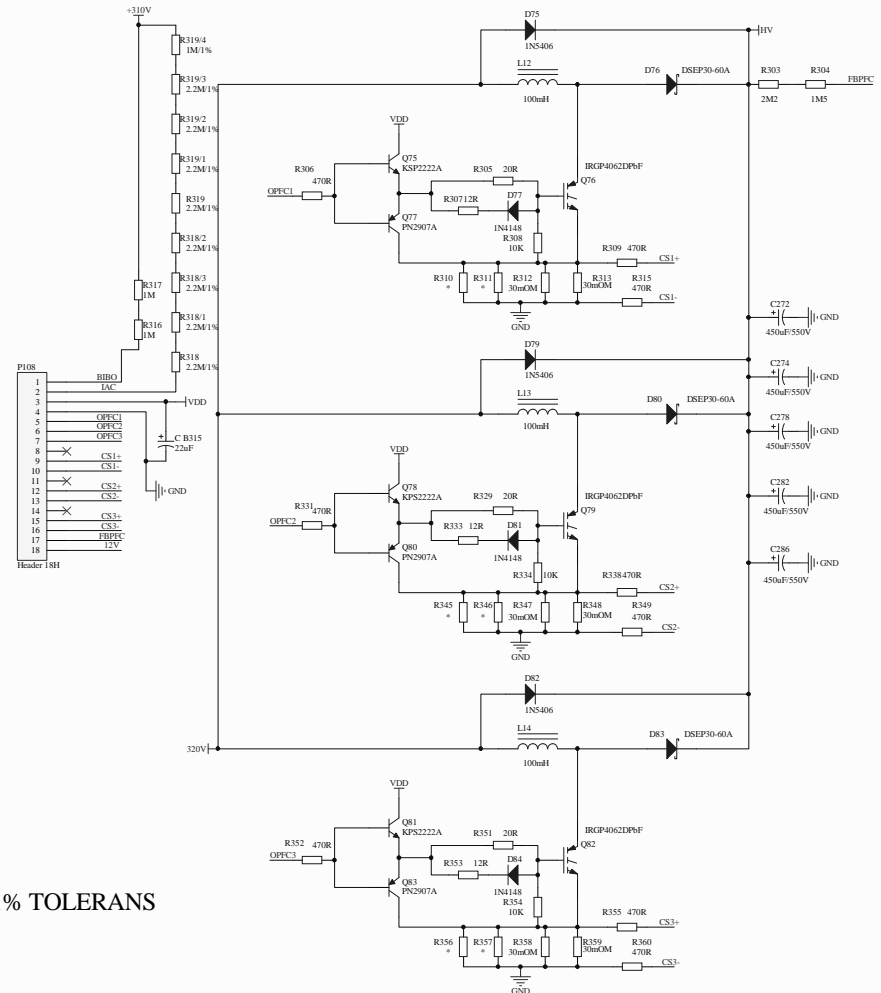
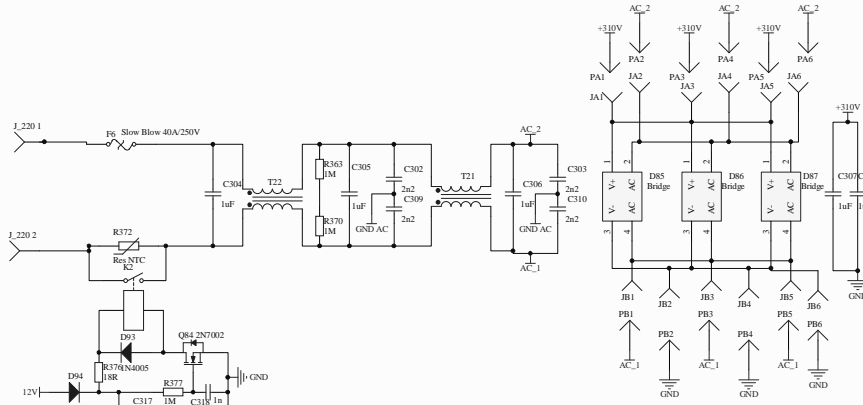


PA PFC AC DC LZ2GL& Ivan



OR R 1% TOLERANS



Title		Revision	
Size	A2	Number	
Date	28.4.2019	Sheet	of
File: C:\Documents and Settings\... \PA PFC AD		DR: Ivan W673 SchDoc	