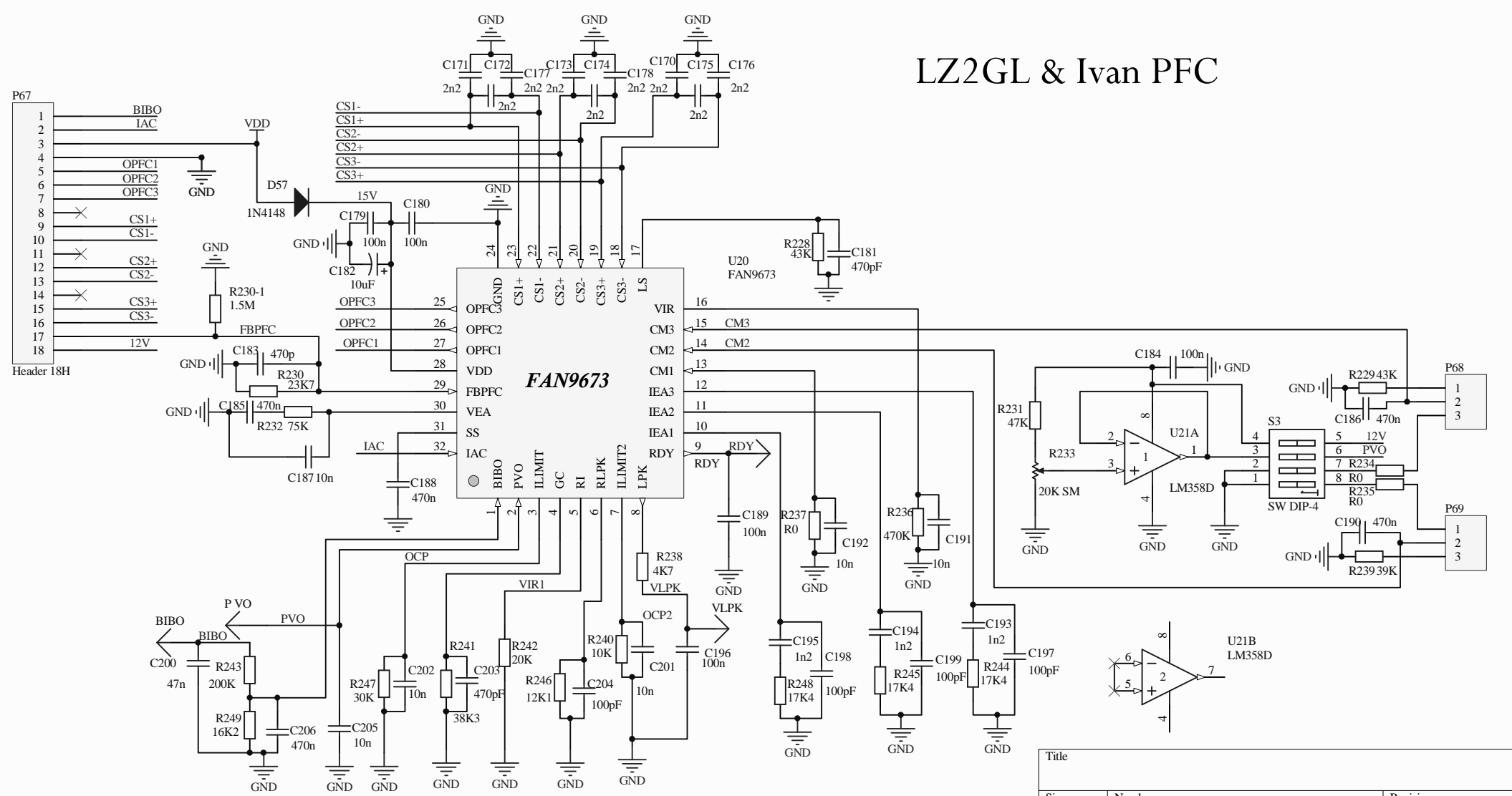


LZ2GL & Ivan PFC



| | | |
|-------|---|----------|
| Title | | |
| Size | Number | Revision |
| A4 | | |
| Date: | 28.4.2019 | Sheet of |
| File: | C:\Documents and Settings\...\FAN9673_PFC_Sch.Dwg | |