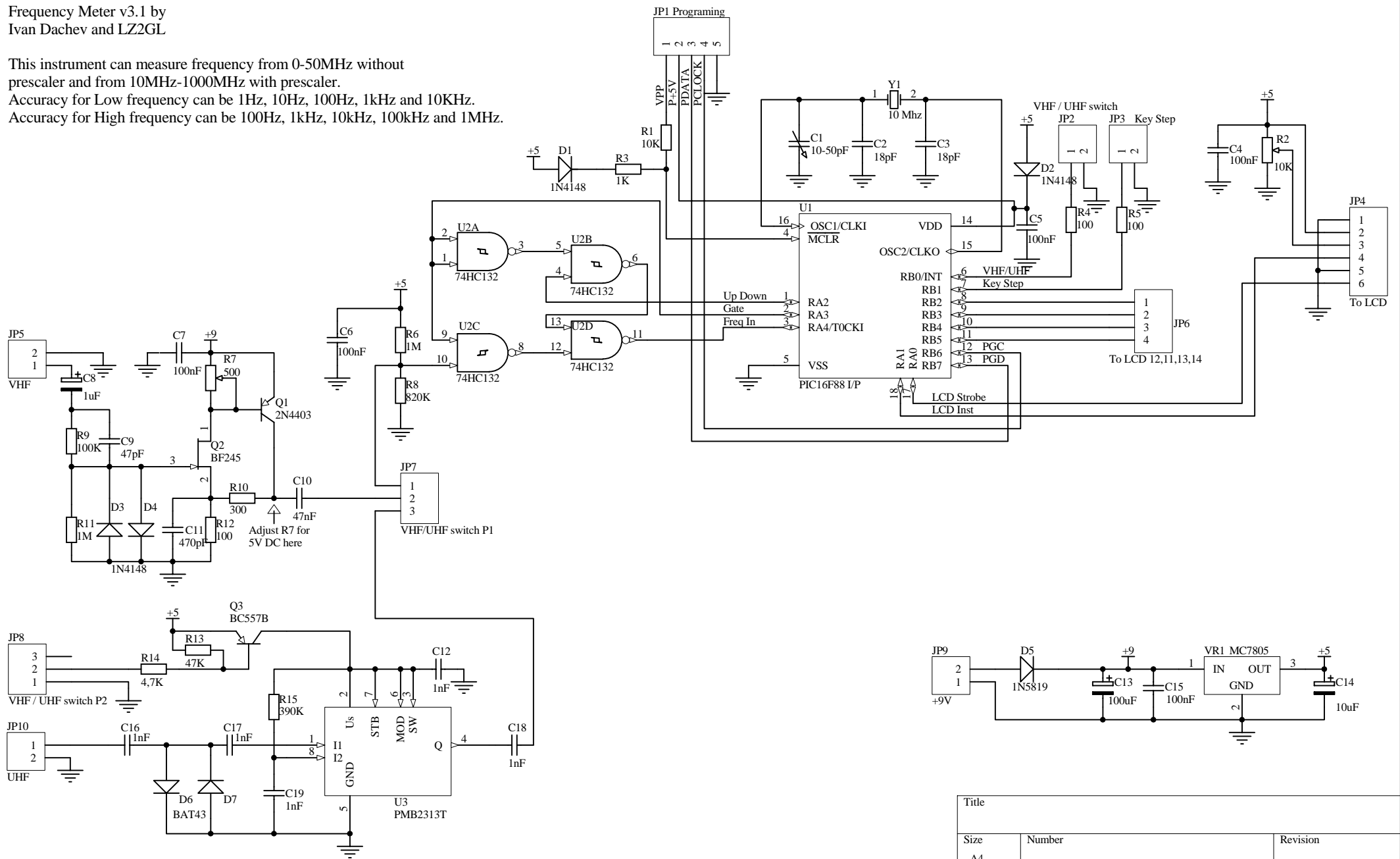


Frequency Meter v3.1 by
Ivan Dachev and LZ2GL

This instrument can measure frequency from 0-50MHz without prescaler and from 10MHz-1000MHz with prescaler.
Accuracy for Low frequency can be 1Hz, 10Hz, 100Hz, 1kHz and 10KHz.
Accuracy for High frequency can be 100Hz, 1kHz, 10kHz, 100kHz and 1MHz.



Title		
Size	Number	Revision
A4		
Date:	22.10.2007	Sheet of
File:	H:\Ivan\...\FreqIGD3.SchDoc	Drawn By: