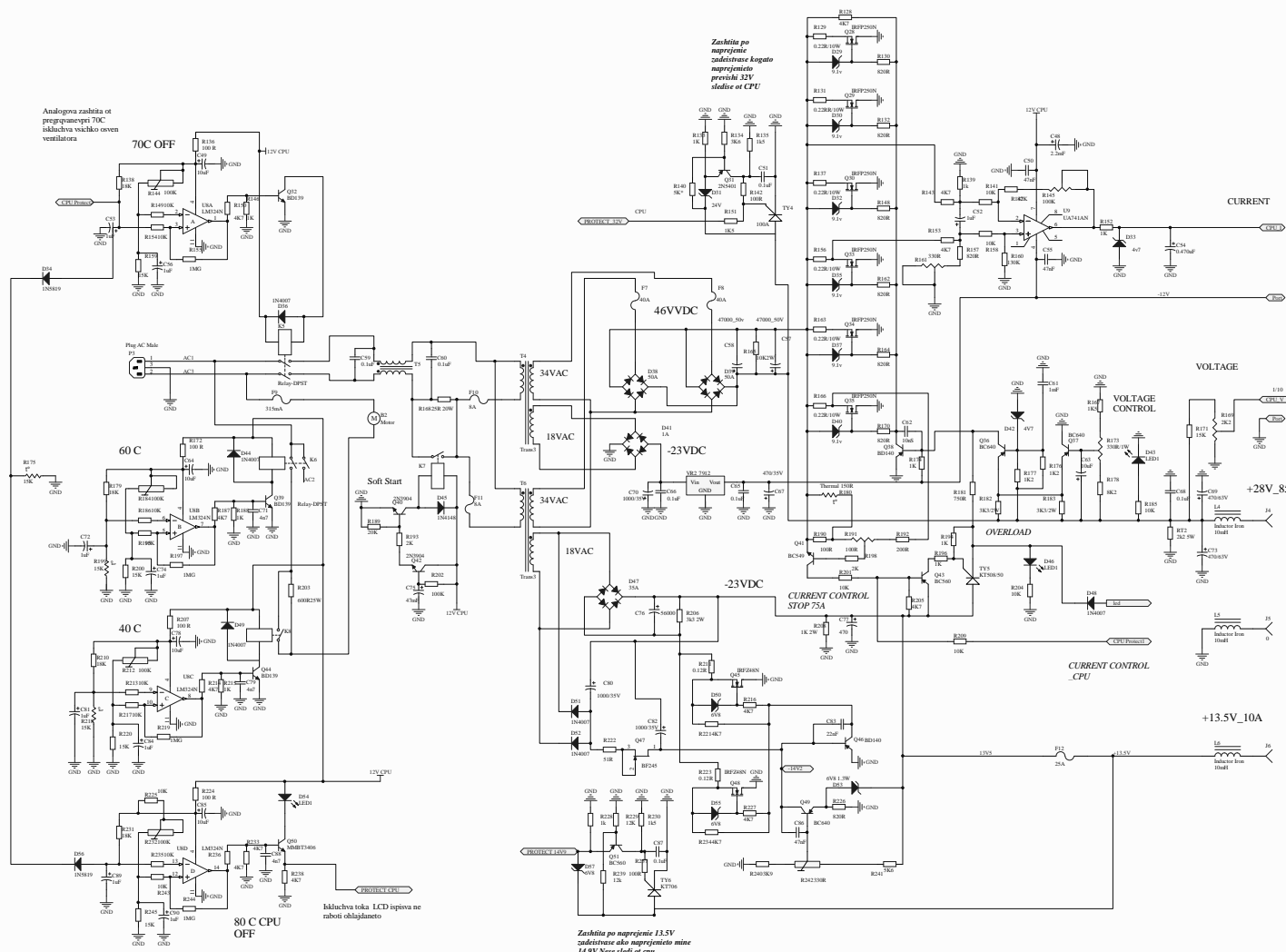


LZ2GL&IVAN

Power Supply 28v_85A



Rev	Number	Revision
AI	28v_85A	
DATE	28.12.2014	
C:\Documents and Settings\Ivan Ivanov\My Documents\Projects\PowerSupply\PowerSupply.schDoc		